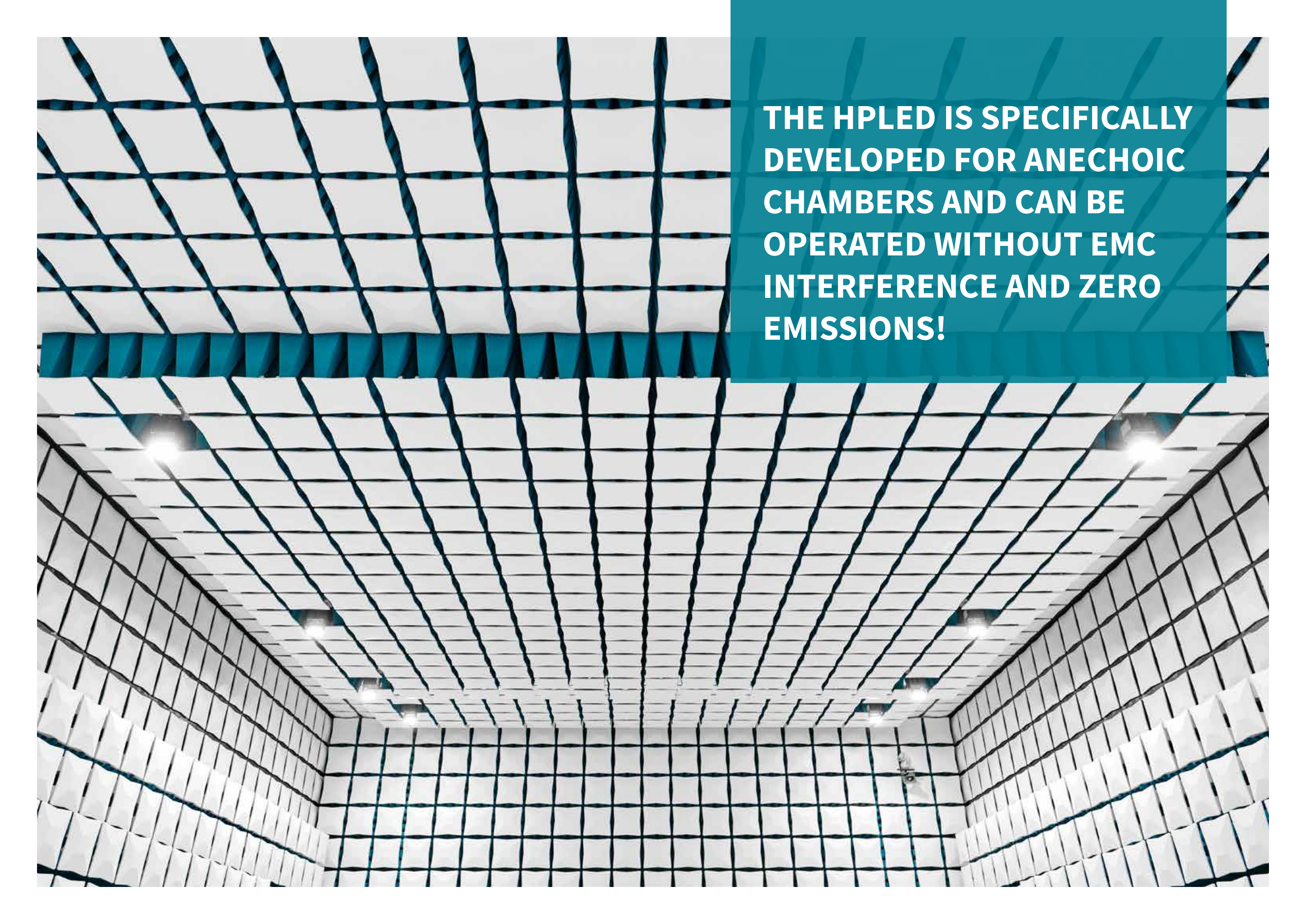




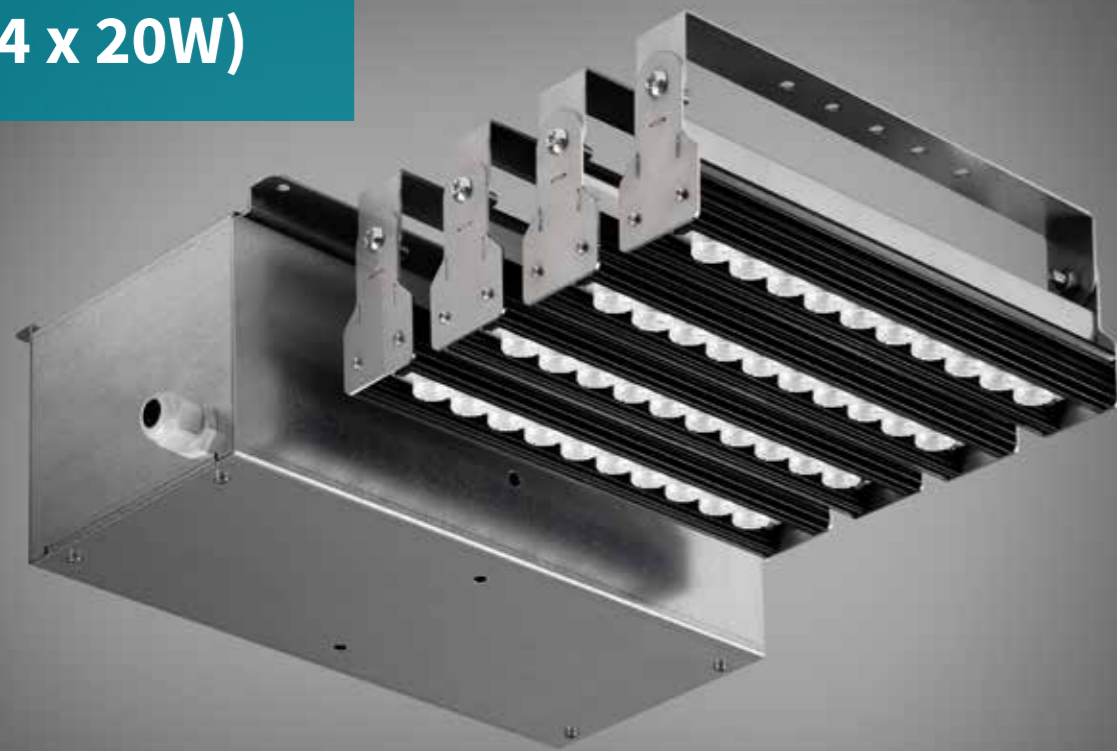
# High Power **LED**

 **AP** Americas

The image shows the interior of an anechoic chamber. The walls, floor, and ceiling are covered with white, pyramidal-shaped electromagnetic absorbers designed to eliminate reflections. A prominent feature is a blue grid pattern that appears to be a mesh or a specific type of absorber structure, creating a grid of diamond shapes across the surfaces. Several recessed lights are visible on the ceiling, providing illumination. A teal-colored text box is overlaid on the right side of the image.

**THE HPLED IS SPECIFICALLY DEVELOPED FOR ANECHOIC CHAMBERS AND CAN BE OPERATED WITHOUT EMC INTERFERENCE AND ZERO EMISSIONS!**

# HPLED-flex (4 x 20W)



**Lifetime:**  
**> 60000 h\***

**Luminous Flux:**  
**6600 lm**

**Color Temperature:**  
**5700 K**

Luminous Flux	6600 (1650 lm per module)
Color Temperature	5700 K, daylight white
Lifetime	> 60000 h*
Voltage	230 V/ 50-60 Hz
(adjustable)	115 V/ 50-60 Hz
Power consumption	95 W
Dimensions Power Supply	(W/D/H) 332 x 173 x 119 mm   13.07 x 6.81 x 4.68 in
Dimensions 1x LED Module	(W/D/H) 248 x 42 x 87 mm   9.76 x 1.65 x 3.42 in
Weight	4.6 kg
Beam Angle	56°
Dimmable	No
Environmental Conditions	Up to 40 °C / 104 °F
Humidity Range	30 % to 70 %
Safety	Should the temperature specifications be exceeded a protective circuit will be activated.
Protection Class	IP 20
Certification	CE, NRTL (UL), RoHS
Additional	HD Video suitable
Use	For anechoic chambers and shielded rooms down to 9 kHz

\*expected lifetime for LED-chips

## HPLED-100



### Lifetime:

> 60000 h\*

### Luminous Flux:

11200 lm

### Color Temperature:

5700 K

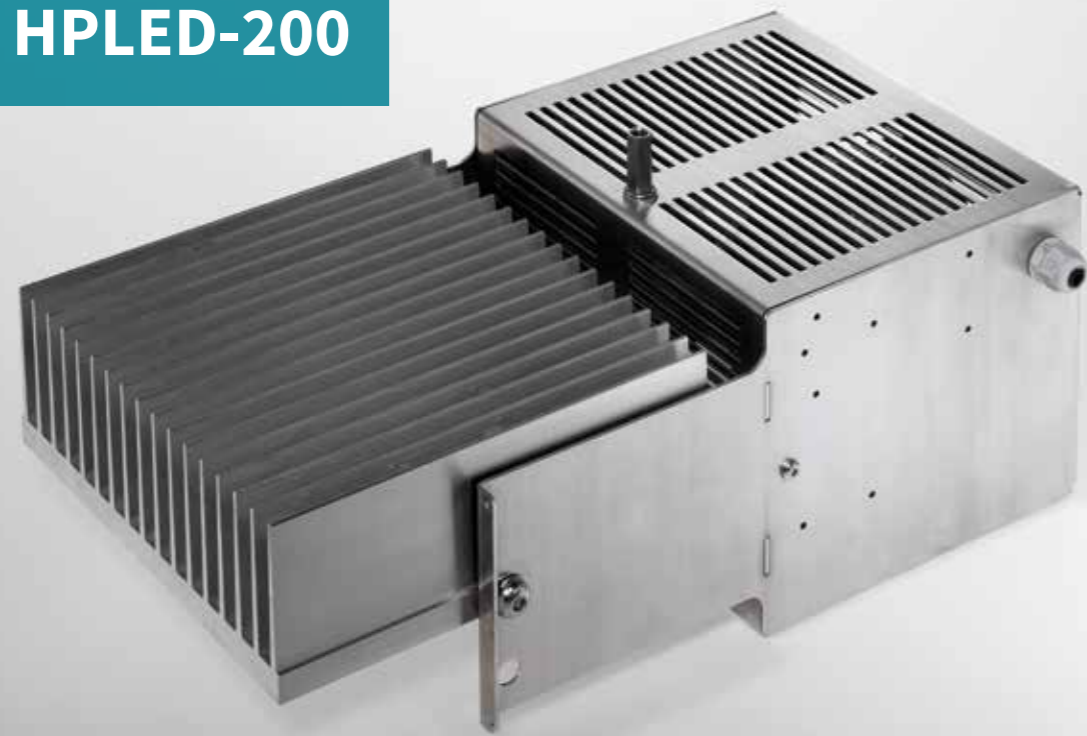
Luminous Flux	11200 lm
Color Temperature	5700 K, daylight white
Lifetime	> 60000 h*
Voltage	230 V/ 50-60 Hz
(adjustable)	115 V/ 50-60 Hz
Power Consumption	146 W
Dimensions (W/H/D)	200 mm x 170 mm x 380 mm 7.87 in x 6.69 in x 14.96 in
Weight	5.5 kg
Beam Angle	120°
Dimmable	No
Environmental Conditions	Up to 40 °C / 104 °F
Humidity Range	30 % to 70 %
Safety	Should the temperature specifications be exceeded a protective circuit will be activated.
Protection Class	IP 20
Certification	CE, NRTL (UL), RoHS
Additional	HD Video suitable
Use	For anechoic chambers and shielded rooms from 9 kHz

\*expected lifetime for LED-chips

# 50%

**THINK OF THE FUTURE**  
Save up to 50% energy  
compared to a conventional  
500 W halogen spotlight.

## HPLD-200



**Lifetime:**  
**> 60000 h\***

**Luminous Flux:**  
**20500 lm**

**Color Temperature:**  
**5700 K**

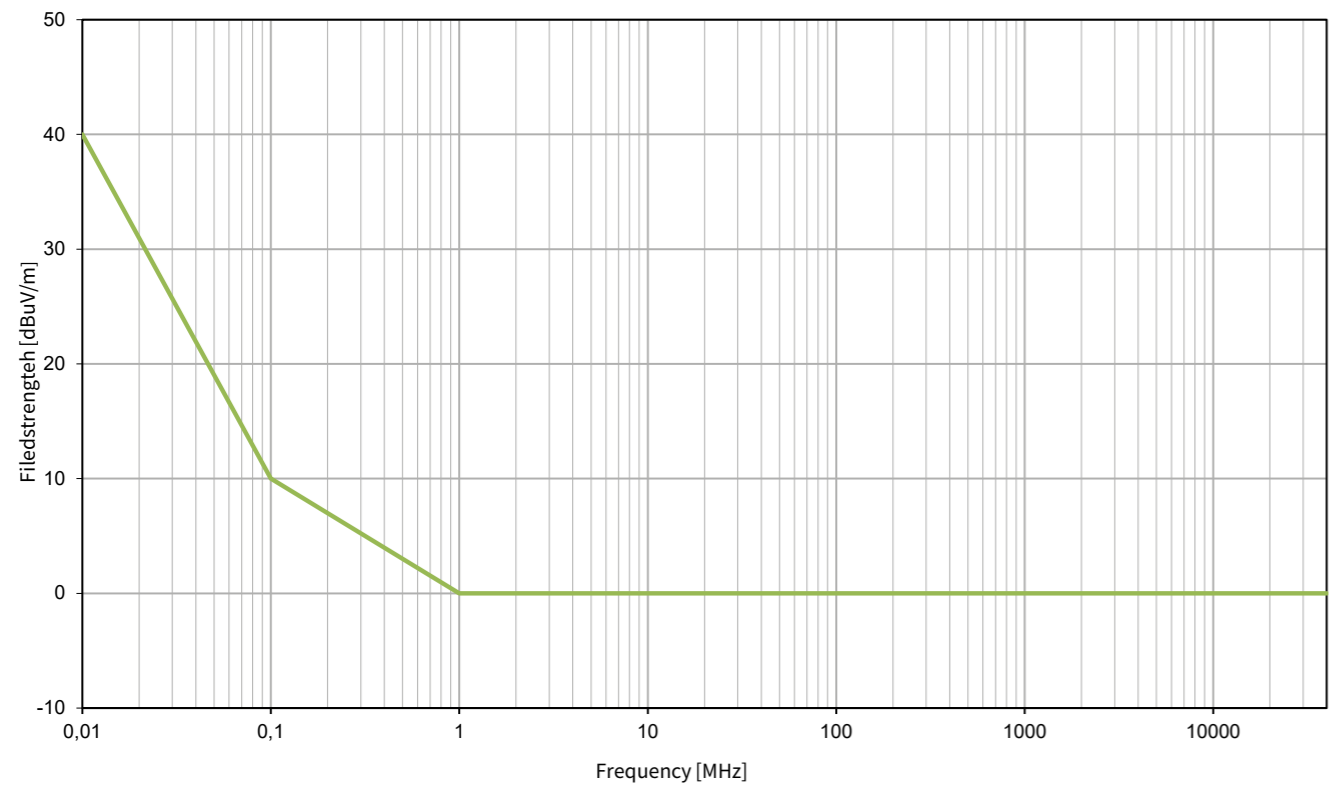
Luminous Flux	20500 lm
Color Temperature	5700 K, daylight white
Lifetime	> 60000 h*
Voltage (adjustable)	230 V/ 50-60 Hz 115 V/ 50-60 Hz
Power consumption	276 W
Dimensions (W/H/D)	435 mm x 220 mm x 170 mm 17.12 in x 8.66 in x 6.69 in
Weight	8.9 kg
Wiring	on-off
Environmental Conditions	Up to 40 °C / 104 °F
Humidity Range	30 % to 70 %
Safety	Should the temperature specifications be exceeded a protective circuit will be activated.
Protection Class	IP 20
Certification	CE, NRTL (UL), RoHS
Additional Use	HD Video suitable For anechoic chambers and shielded rooms from 9 kHz
	*expected lifetime for LED-chips





**HPLED MAINTENANCE COSTS ARE ZERO DURING EXPECTED LIFETIME! THE REGULAR REPLACEMENT OF LIGHTS IS A THING OF THE PAST DUE TO LONG-LIFE TECHNOLOGY.**

Maximum Noise Level of HPLED-flex, HPLED-100 and HPLED-200



20 dB below all standards





Albatross Projects GmbH

Daimlerstrasse 17  
89564 Nattheim  
Germany

Phone +49 7321 730-500  
Fax +49 7321 730-590  
info@albatross-projects.com

AP Americas Inc.

3101 Skywalk Circle N.  
Irving, TX 75038  
USA

Phone +1 972 295 9100  
Fax +1 972 810 3223  
info@apamericas.com

Albatross Projects  
RF Technology  
(Shanghai) Co., Ltd.

Block 35, No.100 Baise Road,  
Xuhui District  
200231 Shanghai  
P. R. China

Phone +86 21 6434 1110  
Fax +86 21 6434 7800  
info@albatross-projects.com.cn

Albatross Projects  
RF Technology India  
Private Limited

312, Siddharaj Zori,  
Near Sargasan Cross, KH-0,  
Off S.G. Highway  
382421 Gandhinagar, Gujarat  
India

Phone +91 97 3737 9537  
Fax +91 79 2975 0780  
info@albatross-projects.in